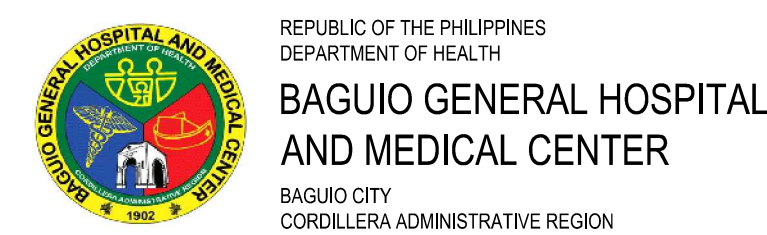
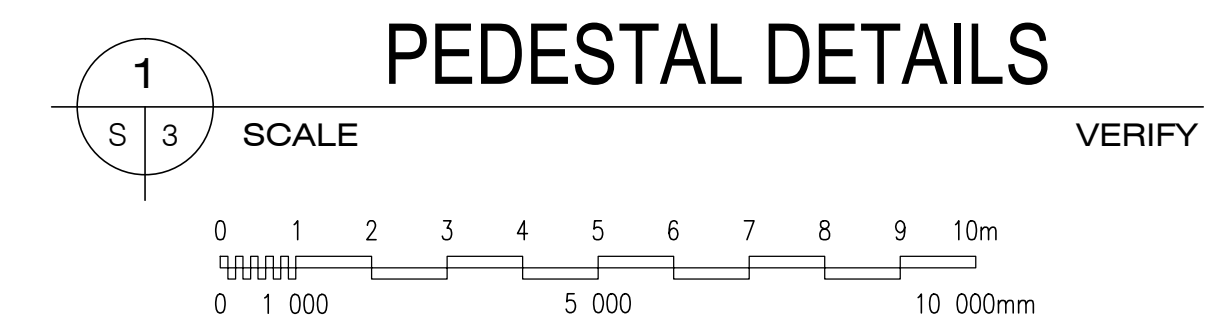
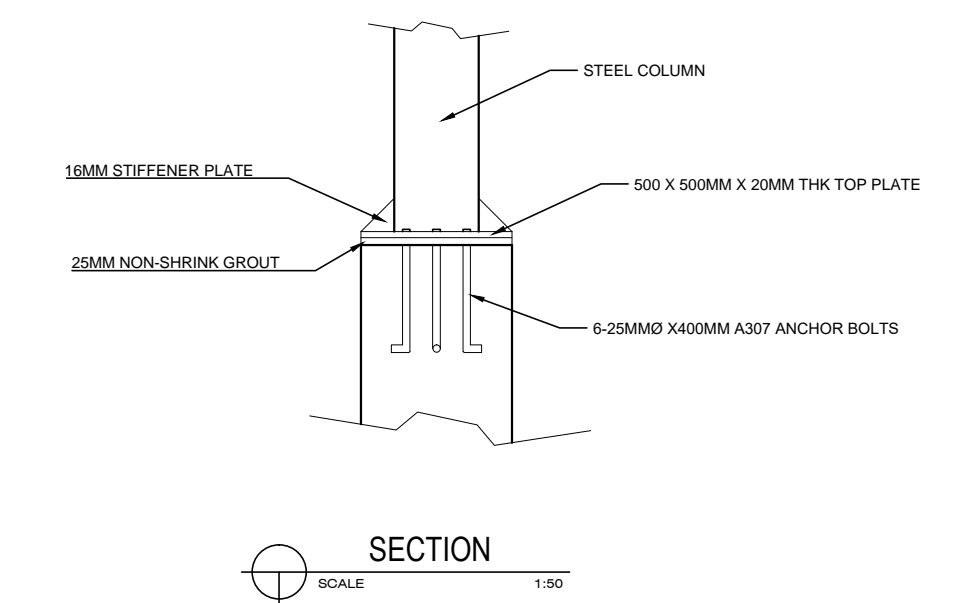
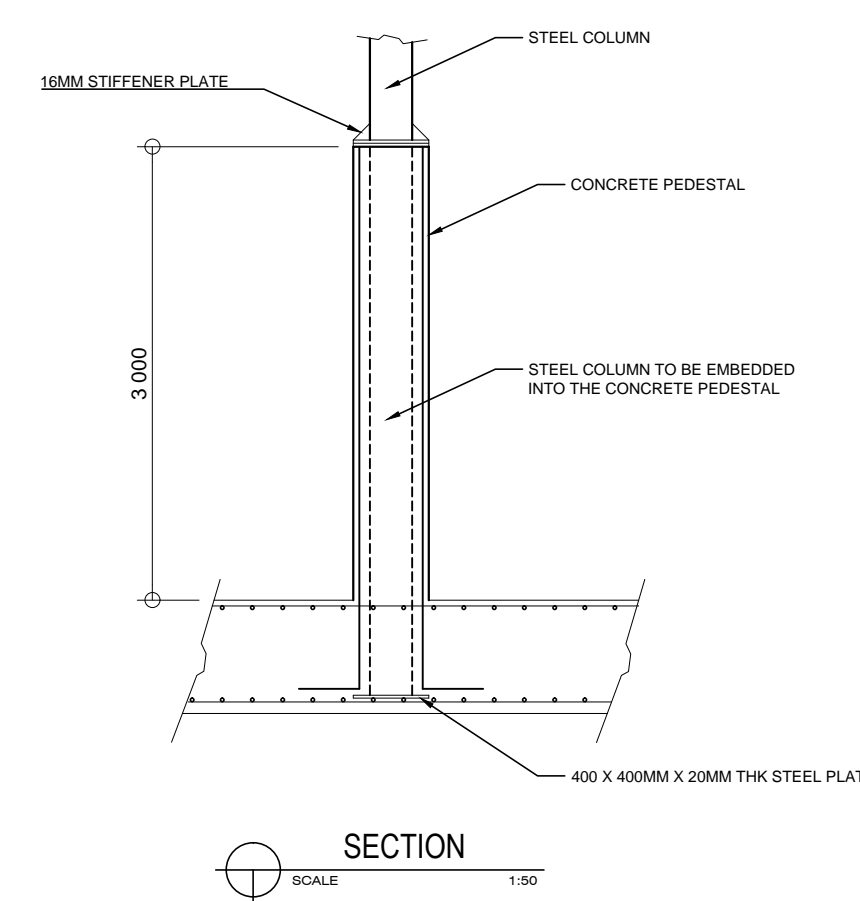
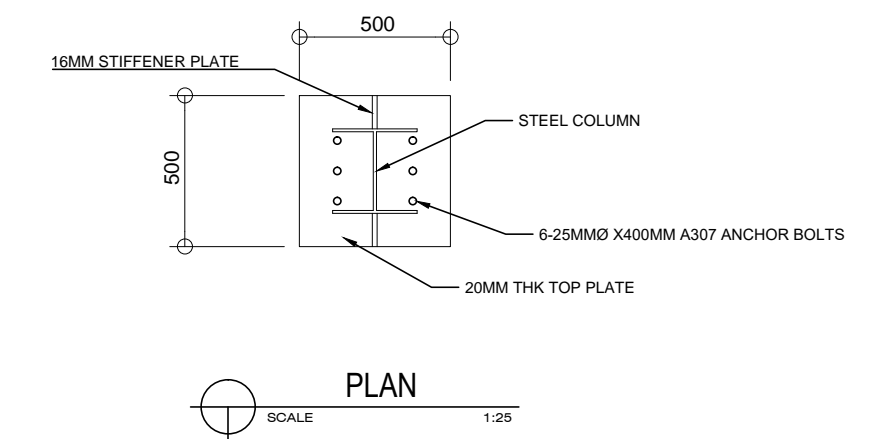
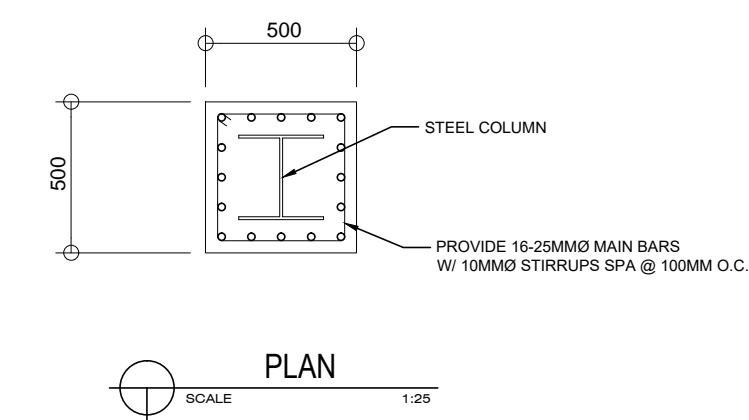
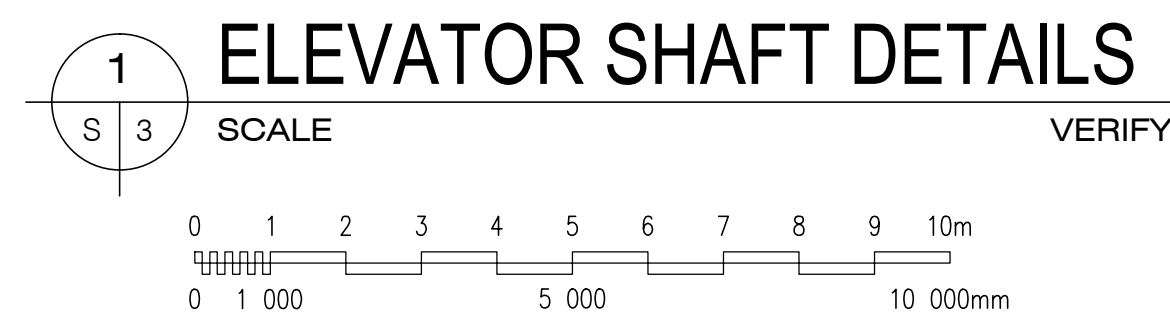
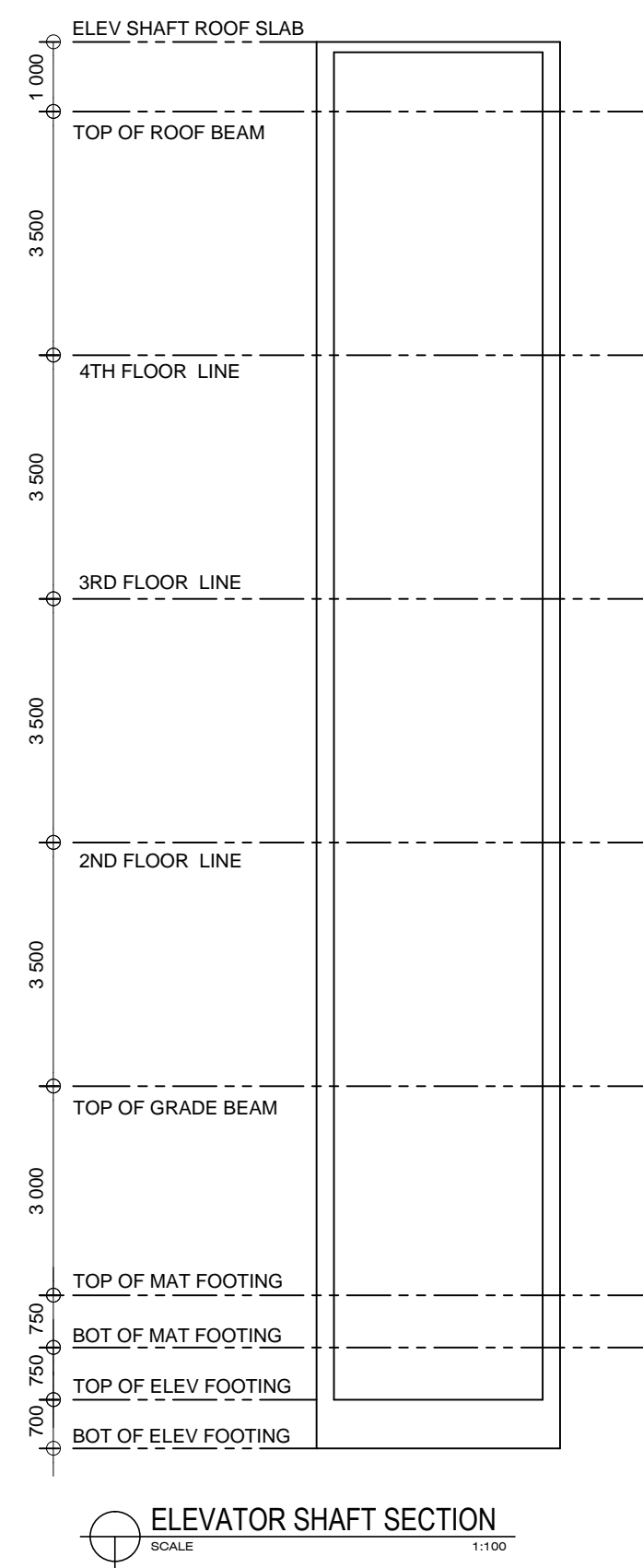
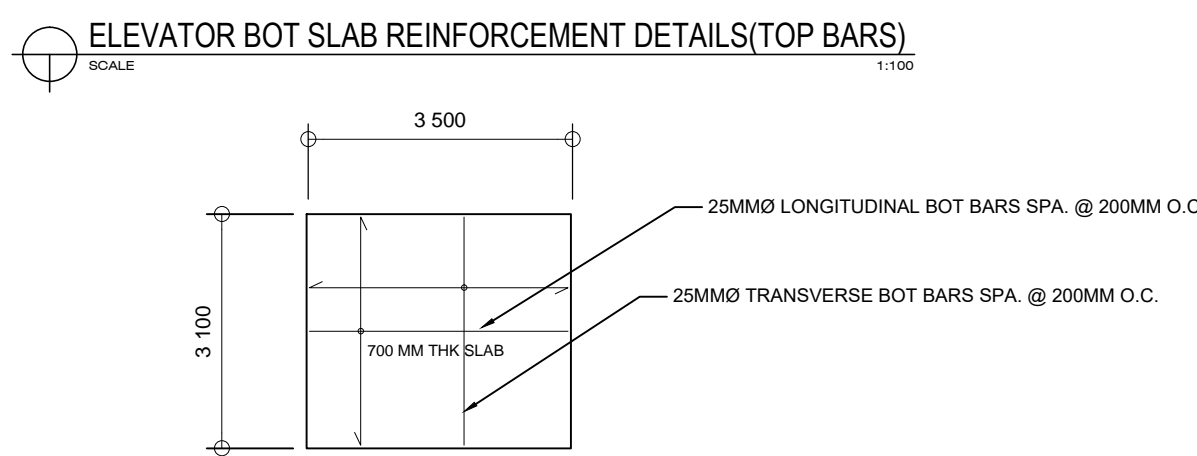
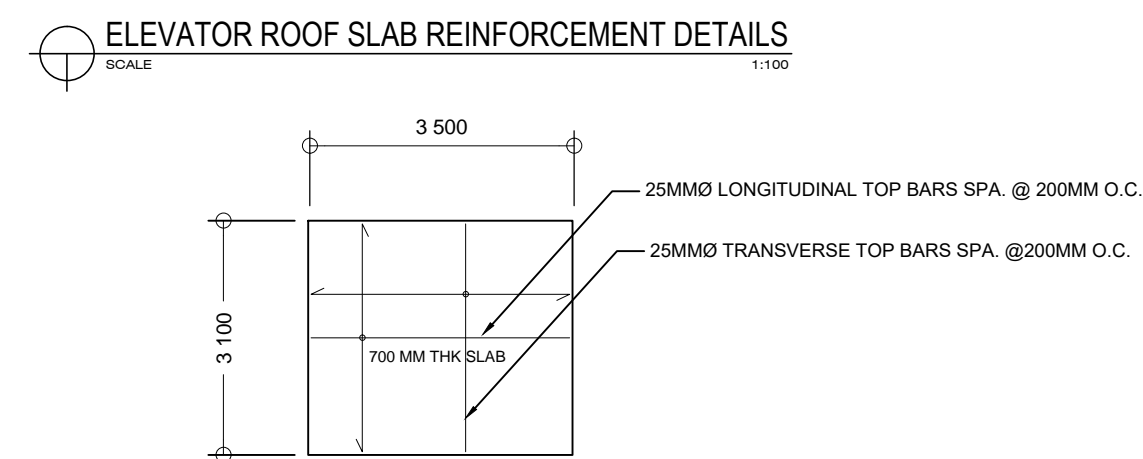
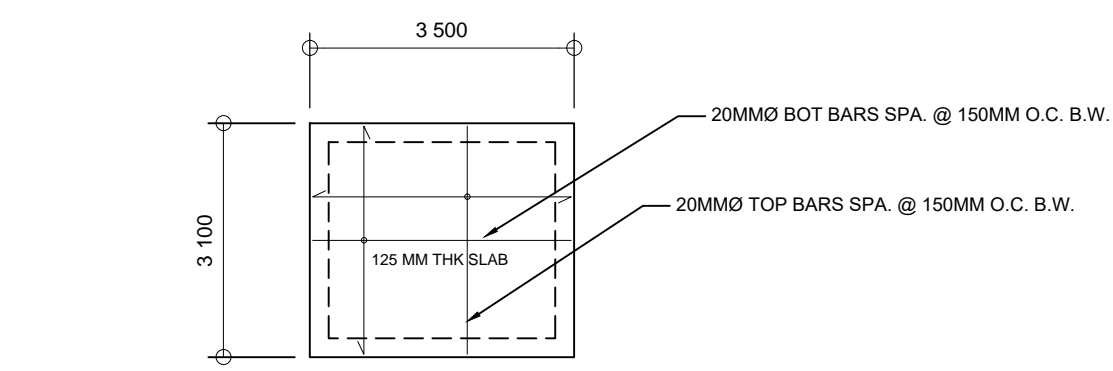
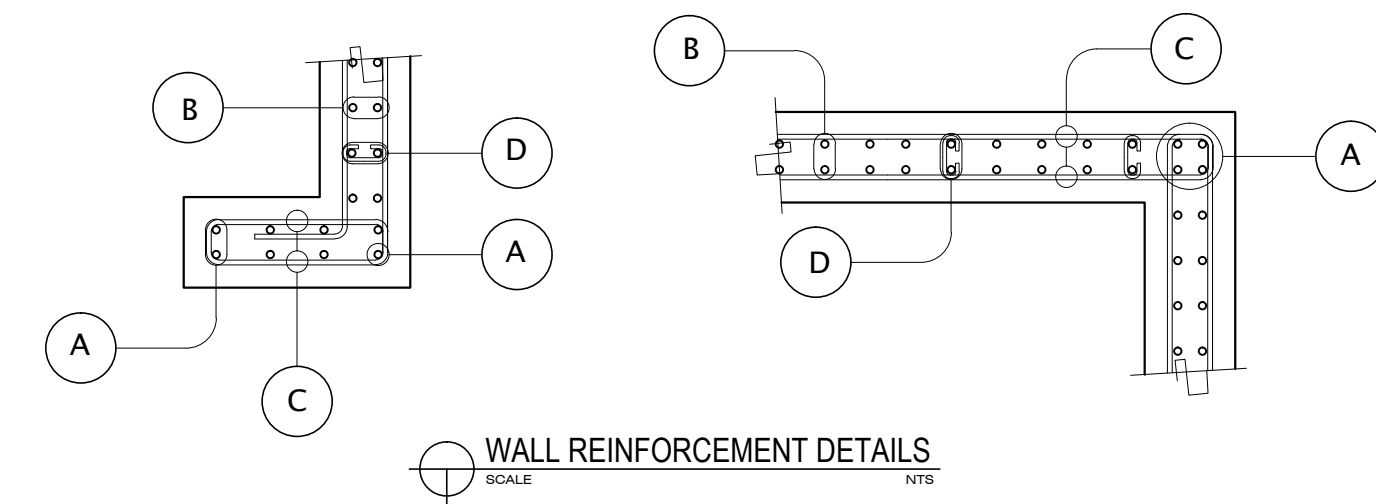


FLOOR	THK (mm)	END BAR/ CORNER BAR (A)	VERTICAL BAR (B)	HORIZONTAL BAR (C)	TIE BAR (D)
3rd FLOOR TO ROOF	250mm	D25mm	D16mm SPACED @ 250mm EACH FACE	D12mm SPACED @ 300mm EACH FACE	DIA. 12mm; SPACED @ 1000mm, HORIZONTAL & VERTICAL
2ND FLOOR	250mm	D25mm	D16mm SPACED @ 250mm EACH FACE	D12mm SPACED @ 250mm EACH FACE	DIA. 12mm; SPACED @ 1000mm, HORIZONTAL & VERTICAL
1ST FLOOR	250mm	D25mm	D16mm SPACED @ 250mm EACH FACE	D12mm SPACED @ 250mm EACH FACE	DIA. 12mm; SPACED @ 1000mm, HORIZONTAL & VERTICAL
FOUNDATION	250mm	D25mm	D20mm SPACED @ 250mm EACH FACE	D16mm SPACED @ 200mm EACH FACE	DIA. 12mm; SPACED @ 1000mm, HORIZONTAL & VERTICAL



RA 9266 SECTION 33
 Drawings and specifications and other contract documents duly signed, stamped or sealed, as instruments of service, are the intellectual property and documents of the architect, whether the object for which they are made is executed or not. It shall be unlawful for any person to duplicate or make copies of said documents for use in the execution of work for other projects or buildings, whether executed partly or in whole, without the written consent of the architect or author of said documents.

STRUCTURAL ENGINEER
JOSELITO F. BUHANGIN, PhD
 PRC REG. No.: 0020988 Validity: 9/5/2017
 PTR No.: 2474311 Date: 1/16/2016
 Place: BAGUIO CITY TIN: 106-644-013

PROJECT TITLE
FOUNDATION WORKS (PHASE I) FOR PROPOSED FOUR STOREY PSYCHIATRIC COMPLEX BUILDING
 PROJECT LOCATION
BGHMC COMPOUND, BAGUIO CITY CORDILLERA ADMINISTRATIVE REGION

SHEET CONTENT
 As Shown

CHECKED
RICHEL RHEY R. DIRIGE, CE
 Engineer IV, HOPPS/EFM, BGHMC

RECOMMENDING APPROVAL
PRISCILLA P. GALISTE, MPA
 Chief Administrative Officer, HOPPS, BGHMC

CONCURRED
RAY P. SUANDING, MD, FPCP, FPCCP
 Chief of Medical Professional Staff
 Baguio General Hospital & Medical Center

APPROVED
EMMANUEL F. ACLUBA, MD, MHA
 Medical Center Chief II
 Baguio General Hospital & Medical Center

SHEET NO.
S-3
 CADD By: EPP/CEJMP
 Date: 11/2016
 Checked By: FAL / RRR